

HSP

NOTES:

Current Rating: 3.0AMP
 Contact Resistance: 20mΩ Max
 Withstand Voltage: 500V AC/DC
 Insulation Resistance: 1000MΩ Min
 Operation Temperature: -55°C to +105°C

Contact Material: Phosphor Bronze/Brass
 Contact plating: Au Or Sn over Ni
 Insulator Material: PBT+30%GF UL94V-0
 Sheet: Cold Roller Steel, Ni Or Sn Plated
 Nut: Brass, Sn Over Ni Plated

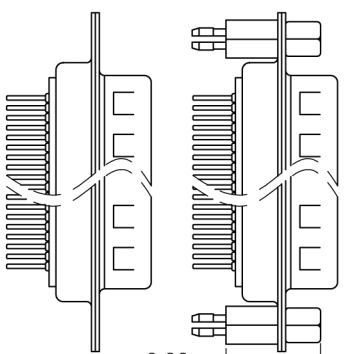
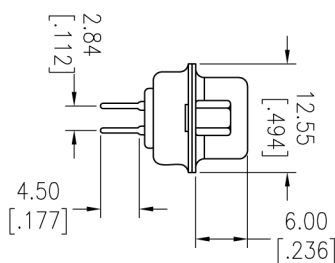
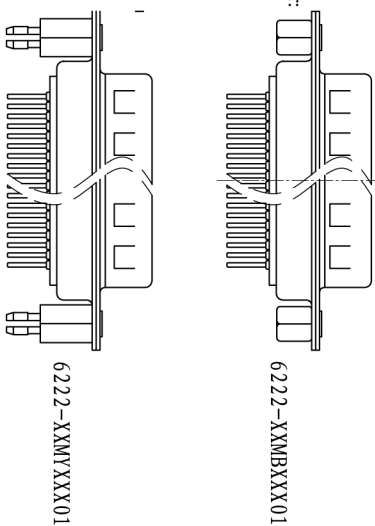
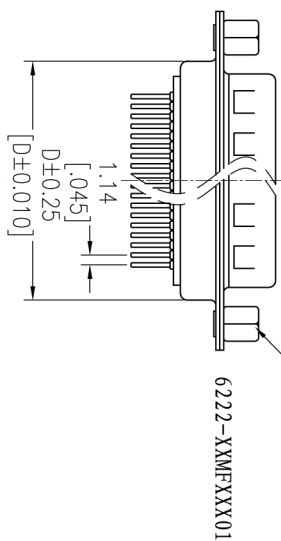
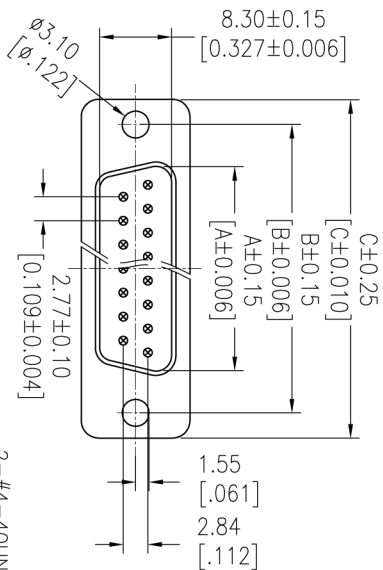
Ordering Information

6222-XX MX XX B 01

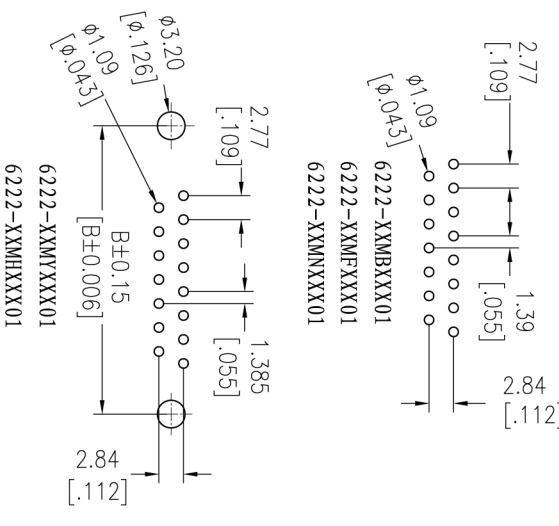
No. of Pins: 9P
 Type: Y: With Back Fork
 15P B: With Back Nut
 25P F: With Front Nut
 37P H: With Front Nut
 With Back Fork
 N: Without Fork
 Without Nut

Contact Plating: S0=Gold Flash/Tin
 S3=10u"Gold/Tin
 S4=15u"Gold/Tin
 S5=30u"Gold/Tin
 SN=Tin

Insulator Color: W= White
 B= Black
 U= Blue



Recommended P.C.B Layout(Top Side)
 (PCB BOARD TOLERANCE±0.05)



PART	1	2	3	4	5
NUT	3.0 [0.118]	4.0 [0.158]	6.0 [0.236]	6.5 [0.256]	4.8 [0.189]
PIN	DIM "A"	DIM "B"	DIM "C"	DIM "D"	
09	16.92 [0.666]	24.99 [0.984]	30.81 [1.213]	19.28 [0.759]	
15	25.25 [0.994]	33.32 [1.312]	39.14 [1.541]	27.70 [1.091]	
25	38.96 [1.534]	47.04 [1.852]	53.10 [2.091]	41.10 [1.618]	
37	55.42 [2.182]	63.50 [2.500]	69.32 [2.729]	57.30 [2.256]	

6222-XXMXXXX01

6222-XXMHXXX01

OPERATION	DRAW	DATE	SCALE	FIT	PART NO.
XX	JYhuang	2012/12/05	mm	A4	6222-XXMXXXX01
XX	CHECK	DATE	SIZE	1/1	TITLE: D-SUB MALE DUAL ROW 180° DIP
X.XXX	CHECK	DATE	SHEET	1/1	Customer NO.
Angle	APPROVE	DATE	PROJ.	☑	
± 3'					

REV	DATE	MODIFICATION DESCRIPTION	CHANGE
A0	2012/12/05	NEW	

上海回峰电子科技有限公司
 Shanghai Hui Feng Electronic Technology Co., Ltd.
 电话: 021-67150229
 传真: 021-67150251
 企业邮箱: huirfeng_dzki@163.com
 公司网站: www.huirfeng-china.com