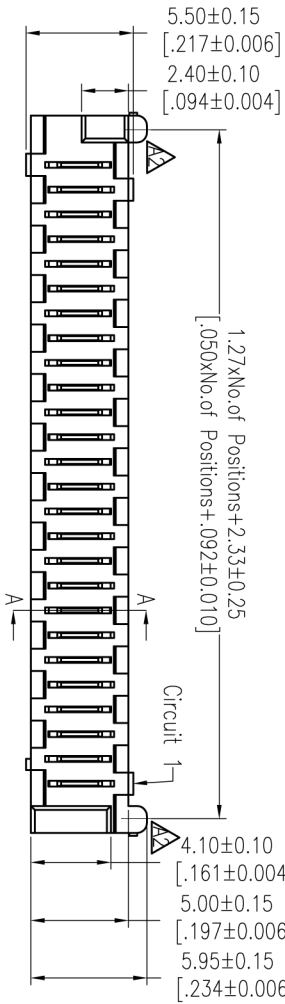


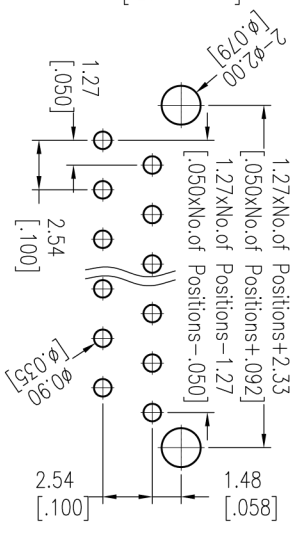
HSF

NOTES:

Current Rating: 1.0AMP Δ
 Contact Resistance: 20m Ω Max
 Withstand Voltage: 500V AC/DC
 Insulation Resistance: 1000M Ω Min
 Operation Temperature: -40°C to +105°C
 Contact Material: Phosphor Bronze
 Contact plating: Sn over Ni
 Insulator Material: LCP+30%G.F. UL94V-0



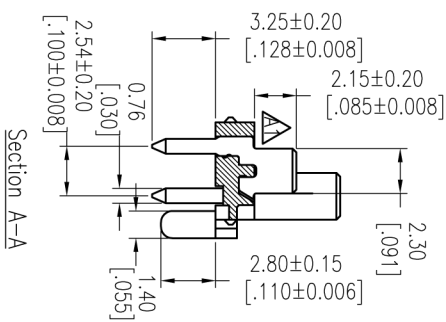
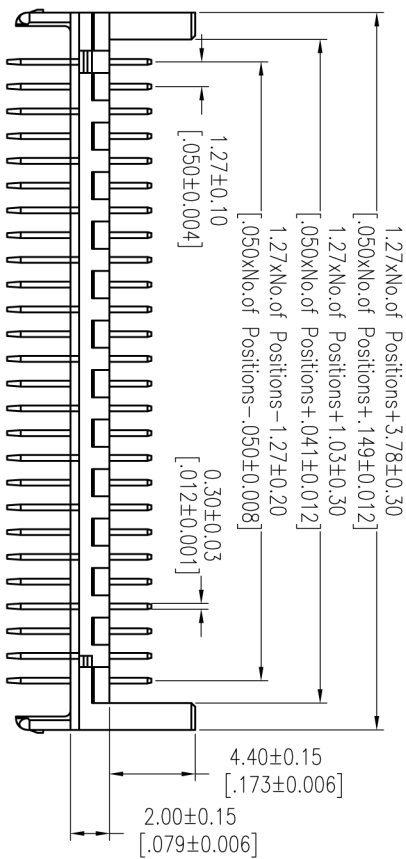
Recommended P.C.B Layout(Top Side)
 (PCB BOARD TOLERANCE±0.05)



Ordering Information

3901-XX MS XX D W B X 1

No.of Pins Contact Plating Insulator Color Packing
 04 16 SN=Matte Tin D=LCP B=Black T=Tube
 06 18 SN=Tin
 08 20
 10 22
 12 24
 14 26



REV	DATE	MODIFICATION DESCRIPTION	CHANGE	OPERATION	DRAW	DATE	SCALE	FIT	PART NO.
A2	2013/12/26	Modify the drawing Δ	-----	XX ± 0.40	JYluang	2013/12/26	UNIT	mm	3901-XXMSXXDWBX1
A1	2013/08/16	Modify the drawing Δ	-----	XXX ± 0.25	CHECK	DATE	SIZE	A4	TITLE: 1.27mm Picoflex Header 180° With Peg
A0	2012/11/01	NEW	-----	XXXX ± 0.15	APPROVE	DATE	SHEET	1/1	Customer NO.
REV	DATE	MODIFICATION DESCRIPTION	CHANGE	Angle $\pm 3^\circ$	APPROVE	DATE	PROJ.		
				DIM TOL					

hf 上海回峰电子科技有限公司
 Shanghai Hui Feng Electronic Technology Co., Ltd.

电话: 021-67150229
 传真: 021-67150251
 企业邮箱: huiheng_dzkl@163.com
 公司网站: www.huiheng-china.com