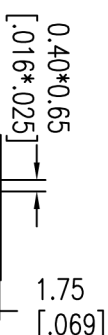
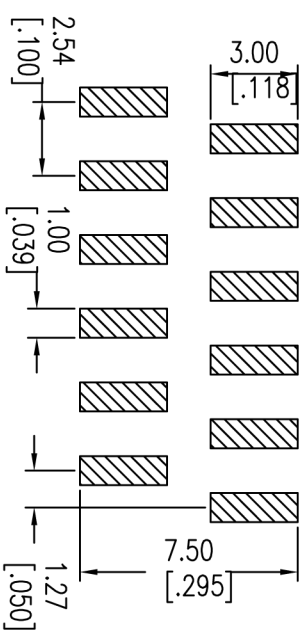
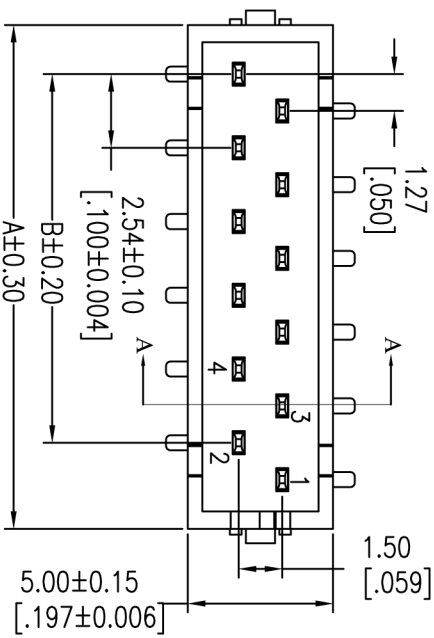




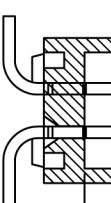
Recommended P.C.B Layout(Top Side)  
(PCB BOARD TOLERANCE±0.05)

NOTES:

Current Rating: 1.0AMP  
 Contact Resistance: 20mΩ Max  
 Withstand Voltage: 500V AC/DC  
 Insulation Resistance: 1000MΩ Min  
 Operation Temperature: -40°C to +105°C  
 Contact Material: Phosphor Bronze  
 Contact plating: Sn over Ni  
 Insulator Material: PA46+30%G.F UL94V-0



SECTION A-A



Dimensional & Ordering Information

Circuit	Part No.	Dimension		QTY /Tube
		A	B	
04	3900-04MMSNENT01	7.20	2.54	71pcs
06	3900-06MMSNENT01	9.74	5.08	54pcs
08	3900-08MMSNENT01	12.28	7.62	44pcs
10	3900-10MMSNENT01	14.82	10.16	37pcs
12	3900-12MMSNENT01	17.36	12.70	31pcs
14	3900-14MMSNENT01	19.90	15.24	28pcs
16	3900-16MMSNENT01	22.44	17.78	25pcs
18	3900-18MMSNENT01	24.98	20.32	22pcs
20	3900-20MMSNENT01	27.52	22.86	20pcs

Ordering Information

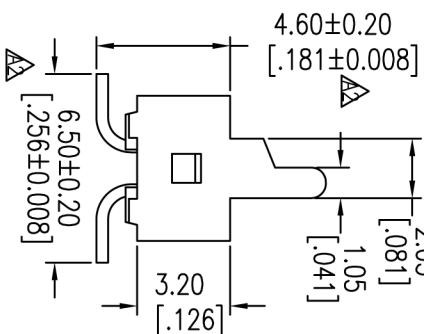
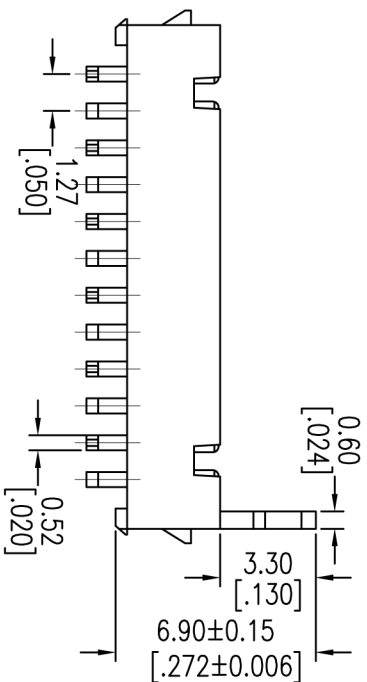
3900-XX MM XX EN T 01

No.of pins  
 04P 12P  
 06P 14P  
 08P 16P  
 10P 18P  
 20P

Contact Plating  
 SN=Tin

Material  
 E=PA46

Packing  
 T=Tube



REV	DATE	MODIFICATION DESCRIPTION	CHANGE	OPERATION	DRAW	DATE	SCALE	FIT	PART NO.
A3	2014/05/28	Micro Match--Mini Match	-----	OPERATION	DRAW	DATE	SCALE	FIT	SEE TAB
A2	2014/05/02	7.0-----6.5, 3.75-----4.60	-----	XX	JYhuang	2014/05/28	mm		
A1	2014/04/02	3900-12MMSNENT01 DIM A=17.63--17.36	-----	XXX	CHECK	DATE	SIZE	A4	TITLE: Mini Match Box Header SMT
A0	2012/10/12	NEW	-----	X,XXX	±0.15	DATE	SHEET	1/1	Customer NO.
			-----	Angle	± 3'	DATE	PROJ.		
			-----	DIM	TOL	DATE			
			-----		APPROVE	DATE			



上海回峰电子科技有限公司  
 Shanghai Hui Feng Electronic Technology Co., Ltd.  
 电话: 021-67150229  
 传真: 021-67150251  
 企业邮箱: hui Feng\_dzki@163.com  
 公司网站: www.huifeng-china.com