

HSHF

TECHNICAL SPECS:

Current Rating: 3.0AMP
Contact Resistance: 10m Ω Max
Dielectric Strength: Min 1000V/RMS
Mechanical Life: Min 500 cycles
Mating Pin: ϕ 0.40 to ϕ 0.66mm or 0.50SQ
Forces: (polished steel gauge ϕ 0.47mm)
Insertion: 200g Max/Pin, Withdrawal: 60g Min/Pin
Operation Temperature: -40°C to +105°C

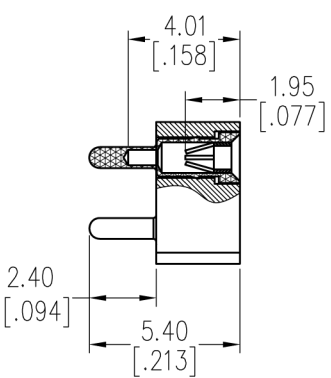
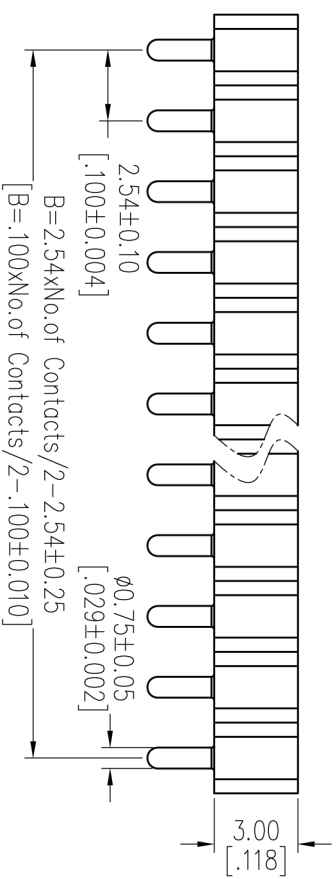
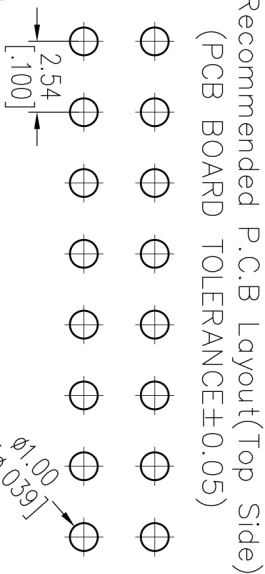
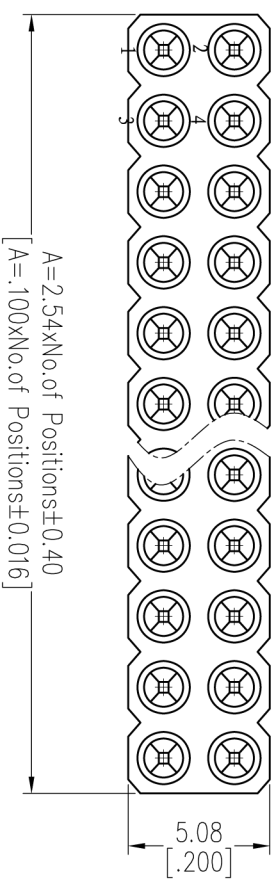
Sleeve: Brass CuZn36Pb3(C36000), Sn over Ni
Contact Clip(4 finger): BeCu(C17200), Au or Sn over Ni
Insulator Material: PPS+30%G.F(U194V-0)

Ordering Information

3520-302 XX S XX 054 X 1

No. of Pin Contact Plating Packing
2-50PIN S0=Gold Flash/Tin A=Tray
S3=10ur'Gold/Tin T=Tube
S4=15ur'Gold/Tin
S5=30ur'Gold/Tin
SN=Tin

Item	Pitch	Mating
Standard	2.54	3510
Alternate		



REV	DATE	MODIFICATION DESCRIPTION	CHANGE	OPERATION	DRAW	DATE	SCALE	FIT	PART NO.
A0	2012/10/18	NEW	-----	XX \pm 0.40	JYhuang	2012/10/18	UNIT	mm	3520-302XXSXX054X1
				XXX \pm 0.25	CHECK	DATE	SIZE	A4	TITLE:
				XXXX \pm 0.15	APPROVE	DATE	SHEET	1/1	2.54mm MACHINED FEMALE HEADER
				Angle \pm 3'			PROJ.		DUAL ROW 180° H=3.00 L=5.4
				DIM TOL					Customer NO.

Huf 上海回峰电子科技有限公司
Shanghai Hui Feng Electronic Technology Co., Ltd.

电话: 021-67150229
传真: 021-67150251
企业邮箱: hufeng_dzki@163.com
公司网站: www.hufeng-china.com