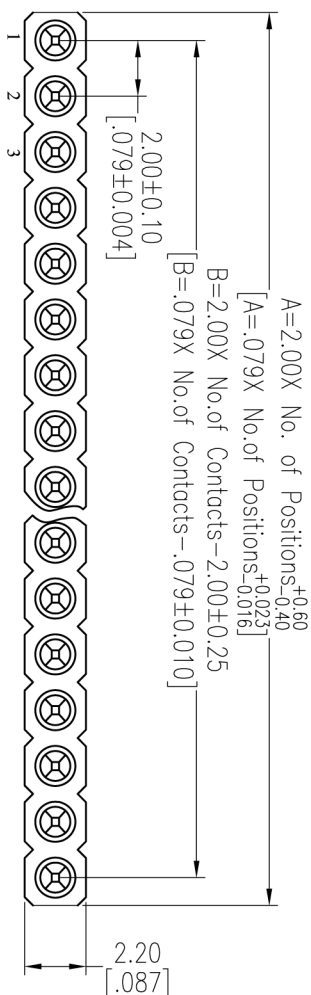


HSF

Recommended P.C.B Layout(Top Side)
(PCB BOARD TOLERANCE±0.05)

TECHNICAL SPECS:

Current Rating:3.0AMP
Contact Resistance:10mΩ Max
Dielectric Strength: Min 1000VRms
Mechanical Life: Min 500 cycles
Mating Pin:φ0.40 to φ0.66mm or 0.50SQ
Forces: (polished steel gauge φ0.47mm)
Insertion:200g Max/Pin, Withdrawal:60g/Pin
Operation Temperature:-40°C to +105°C



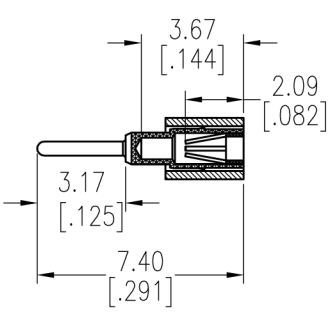
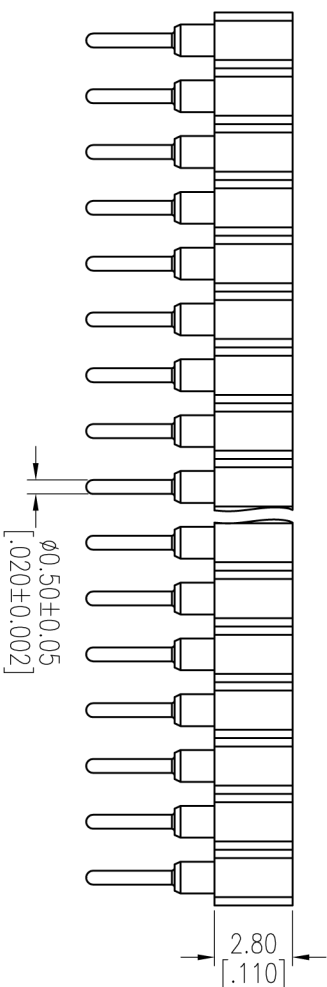
NO. of PIN	DIM A
40PIN	2.0*NO. of Positions+1.00±0.40
<40PIN	2.0*NO. of Positions +0.60



Ordering Information

3522-281 XX S XX 074 X 1

No. of Pin Contact Plating Packing
2-40PIN S0=Gold Flash/Tin A=Tray
 S3=10u"Gold/Tin T=Tube
 S4=15u"Gold/Tin
 S5=30u"Gold/Tin
 SN=Tin



Item	Pitch	Mating
Standard	2.00	3512
Alternate		

REV	DATE	MODIFICATION DESCRIPTION	CHANGE	OPERATION	DRAW	DATE	SCALE	FIT	PART NO.	TITLE:	PROJ.	CUSTOMER NO.
A1	2013/05/17	Modify drawing	-----	XX	Wang	2013/05/17	mm	A4	3522-281XXSXX074X1	2.00mm MACHINED FEMALE HEADER SINGLE ROW 180° H=2.80 L=7.4	1/1	
A0	2012/10/17	NEW	-----	X.XXX	CHECK	DATE	SIZE	A4				
REV	DATE	MODIFICATION DESCRIPTION	CHANGE	DIM	APPROVE	DATE	PROJ.					

hf 上海回峰电子科技有限公司
Shanghai Hui Feng Electronic Technology Co., Ltd.

电话: 021-67150229
传真: 021-67150251
企业邮箱: hui Feng_dzkj@163.com
公司网站: www.huifeng-china.com