

HSF

TECHNICAL SPECS:

Current Rating: 3.0AMP
 Contact Resistance: 10m Ω Max
 Dielectric Strength: Min 1000Vrms
 Mechanical Life: Min 500 cycles
 Mating Pin: $\phi 0.7$ to $\phi 0.9$ mm or 0.635SQ
 Forces: (polished steel gauge $\phi 0.76$ mm)
 Insertion: 150g Max/Pin, Withdrawal: 30g Min/Pin
 Operation Temperature: -40°C to $+105^{\circ}\text{C}$

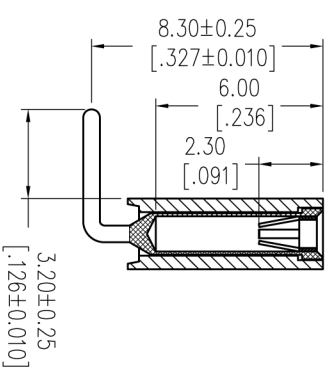
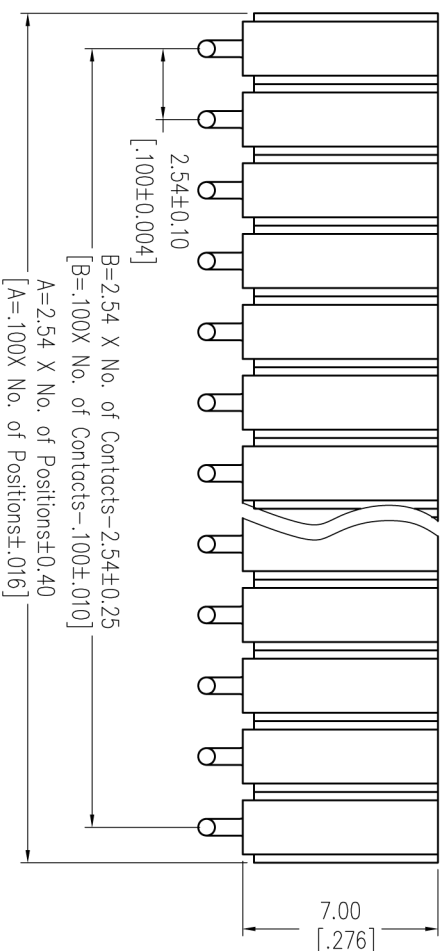
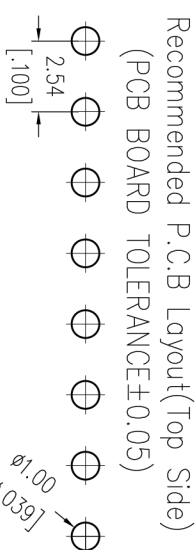
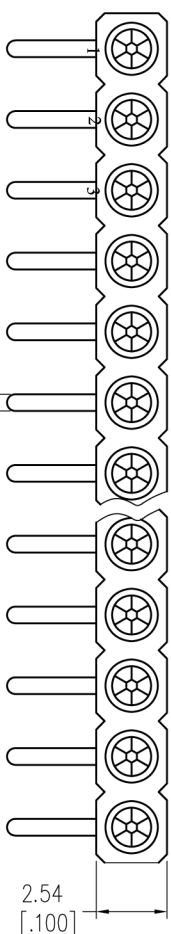
Sleeve: Brass CuZn36Pb3(C360000)
 Contact Clip(6 finger): BeCu(C17200)
 Insulator Material: PPS+30%G.F(UL94V-0)

Ordering Information

3521-701 XXX R XX 124 X 1

No. of Pin: 2-50PIN
 Contact Plating: S0=Gold Flash/Tin, S3=10u"Gold/Tin, S4=15u"Gold/Tin, S5=30u"Gold/Tin, SN=Tin
 Packing: A=Tray, T=Tube

Item	Pitch	Mating
Standard	2.54	3511
Alternate		



REV	DATE	MODIFICATION DESCRIPTION	CHANGE	OPERATION	DRAW	DATE	SCALE	FIT	PART NO.
A0	2012/10/18	NEW		XX ±0.40	JYhuang	2012/10/18	mm	A4	3521-701XXX124X1
				X.XX ±0.25	CHECK	DATE	SIZE	A4	TITLE: 2.54mm MACHINED FEMALE HEADER SINGLE ROW 90° H=7.00 L=12.43
				X.XXX ±0.15	APPROVE	DATE	SHEET	1/1	Customer NO.
				Angle ± 3'			PROJ.		
				DIM	TOL				

hf 上海回峰电子科技有限公司
 Shanghai Hui Feng Electronic Technology Co., Ltd.

电话: 021-67150229
 传真: 021-67150251
 企业邮箱: hui Feng_dzkj@163.com
 公司网站: www.huifeng-china.com