

HSHF

TECHNICAL SPECS:

Current Rating: 3.0AMP
 Contact Resistance: 10m Ω Max
 Dielectric Strength: Min 1000Vrms
 Mechanical Life: Min 500 cycles
 Mating Pin: $\varnothing 0.7$ to $\varnothing 0.9$ mm or 0.635SQ
 Forces: (polished steel gauge $\varnothing 0.76$ mm)
 Insertion: 150g Max/Pin, Withdrawal: 30g Min/Pin
 Operation Temperature: -40°C to $+105^{\circ}\text{C}$

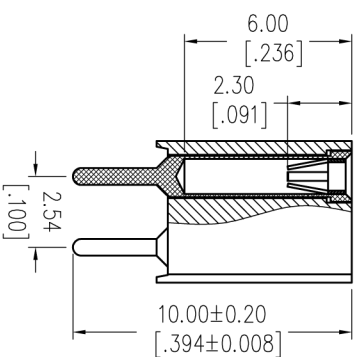
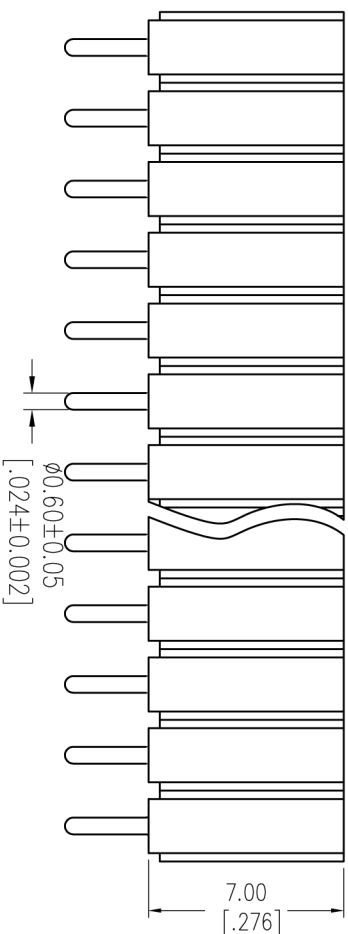
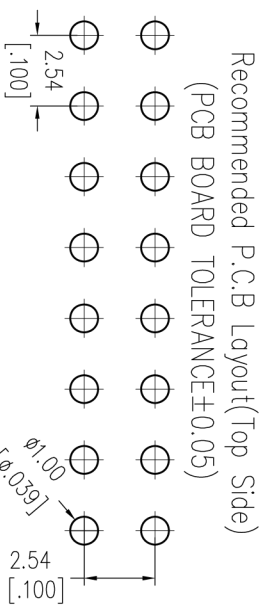
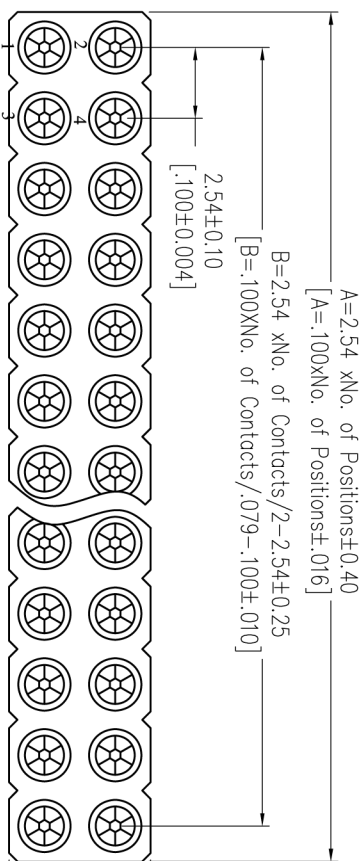
Sleeve: Brass CuZn36Pb3(C360000)
 Contact Clip(6 finger): BeCu(C172200)
 Insulator Material: PPS+30%G.F(UL94V-0)

Ordering Information

3521-702 XX S XX 100 X 1

No. of Pin Contact Plating Packaging
 2-50PIN S0=Gold Flash/Tin A=Tray
 S3=10u"Gold/Tin T=Tube
 S4=5u"Gold/Tin
 S5=30u"Gold/Tin
 SN=Tin

Item	Pitch	Mating
Standard	2.54	3510
Alternate		



OPERATION		DRAW		DATE		SCALE		PART NO.	
XX	±0.40	JYHuang		2012/10/18		mm		3521-702XXSXX100X1	
XX	±0.25	CHECK		DATE		A4		TITLE:	
X.XXX	±0.15	Angle	± 3'	APPROVE	DATE	1/1		2.54mm MACHINED FEMALE HEADER	
REV	DATE	MODIFICATION DESCRIPTION	CHANGE	DIM	TOL	PROJ.		DUAL ROW 180° H=7.00 L=10.0	
A0	2012/10/18	NEW						Customer NO.	

hf 上海回峰电子科技有限公司
 Shanghai Hui Feng Electronic Technology Co., Ltd.

电话: 021-67150229
 传真: 021-67150251
 企业邮箱: hui Feng_dzkj@163.com
 公司网站: www.huifeng-china.com