

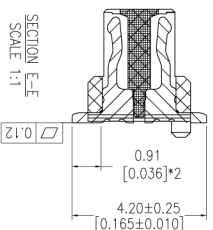
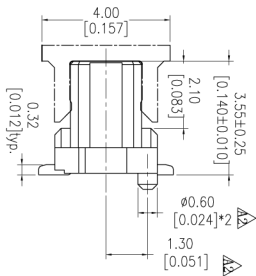
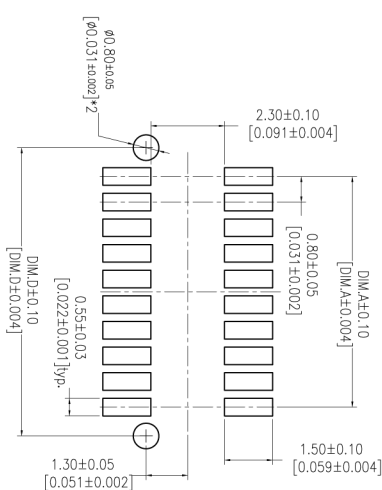
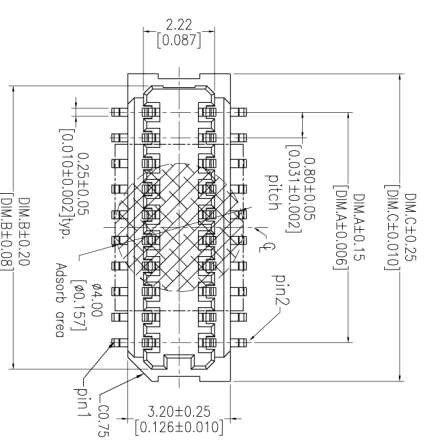
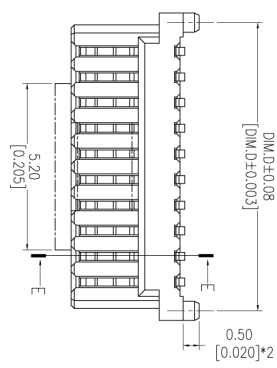
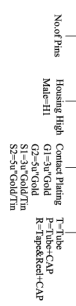
Recommended P. C. B Layout (Top Side)
(PCB BOARD TOLERANCE ± 0.05)

NOTES:

- Current Rating: 0.5AMP
- Contact Resistance: 50mΩ max
- Withstand Voltage: 500V AC/DC
- Insulation Resistance: 100MΩ min
- Operation Temperature: -20°C to +105°C
- Contact Material: Phosphor Bronze
- Housing Material: PA9T(U,94V-0)
- Contact plating: Au or Sn over Ni

Ordering Information

3612-P XXX - 035 XX R 01



REV	DATE	MODIFICATION DESCRIPTION	OPERATION	DRAW	DATE	SCALE	FIT	PART NO.
A2	2015/12/29	内柱位置: 1.20 → 1.30 大小: Ø0.75 → Ø0.60	△△	Yiliuang	2015/12/29	mm	mm	3612-PXXX-035XR01 △△
A1	2013/05/02	Modify The PART NO. 3612-PXXX-008XR01 To 3612-PXXX-035XR01	△△	CHEK	DATE	inch	inch	TITLE: 0.80mm B 170 B
A0	2013/03/22	NEW	X.XXX	±0.25	DATE	A4	A4	"M" MALE 180° SMT TYPE
			Angle	± 3°	DATE	SHEET	1/2	Customer NO.
			DIM	TOL.	DATE	PROL.	◆	

上海回峰电子科技有限公司
Shanghai Hui Feng Electronic Technology Co., Ltd.

电话: 021-67150229
传真: 021-67150251
企业邮箱: huiheng_dzki@163.com
公司地址: www.huiheng-china.com