

NOTES:

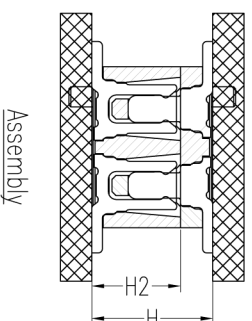
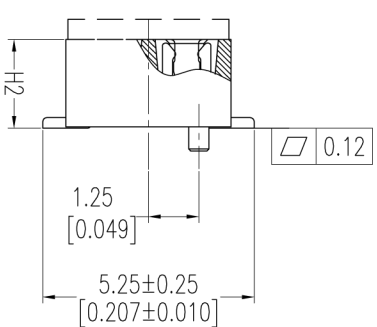
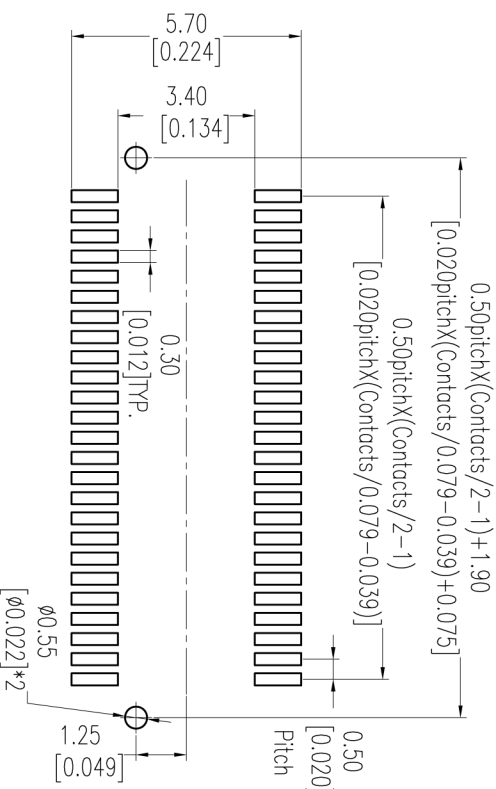
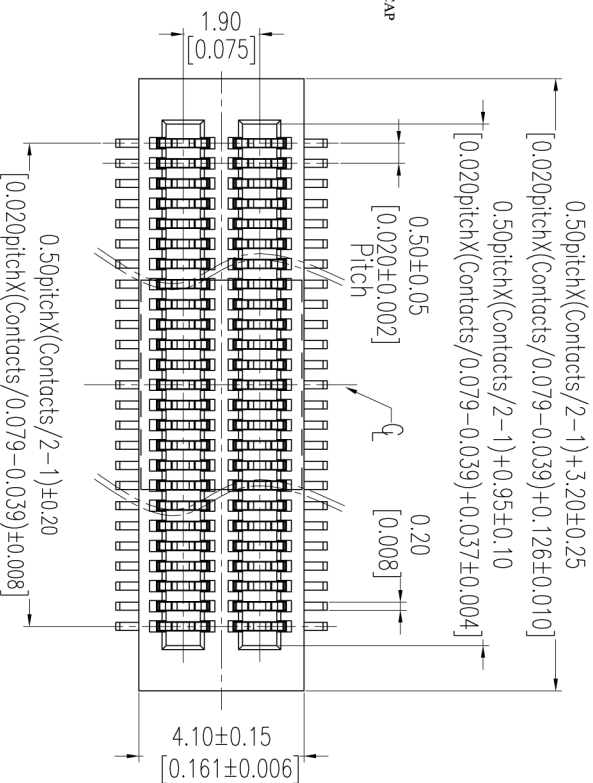
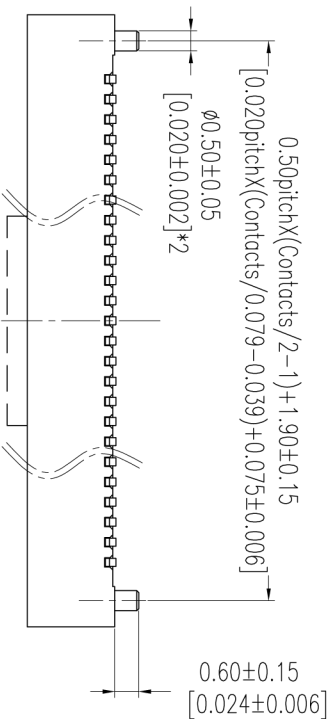
Current Rating:0.5A
 Voltage Rating:50V AC/DC
 Contact Resistance:50milliohm Max
 Insulation Resistance:100Megohtm Min
 Operation Temperature:-20Cto+105°C
 Housing Material:PA9T+30%G.F.(UL94V-0)
 Contact Material:Phosphor Bronze
 Contact plating:Au or Sn over Ni

Ordering Information

3620-S XXX - XXX XX R 01

No.of Pins Housing High Contact Plating
 G1=3μ"Gold T=Tube
 G2=5μ"Gold P=Tube+CAP
 S1=3μ"Gold/Tm R=Tap&Reel+CAP
 S2=5μ"Gold/Tm

ASSY HIGH(H)	PLUG(H1)	SOCKET(H2)
3.00	0.80	2.20
3.50	0.80	2.70
4.00	1.00	3.00
4.50	1.50	3.00
5.00	2.00	3.00
5.50	1.50	4.00
6.00	2.00	4.00
6.50	2.00	4.50



Recommended P. C. B Layout (Top Side)
 (PCB BOARD TOLERANCE ± 0.05)

REV	DATE	MODIFICATION DESCRIPTION	CHANGE	OPERATION	DRAW	DATE	SCALE	FIT	PART NO.	TITLE:	Customer NO.
A1	2012/10/12	Modify	△	XX ±0.40	Tsingnsn CHECK	2012/10/12	mm UNIT	inch	3620-SXXX-XXXXXR01	0.50mm B TO B	
A0	2012/06/27	NEW		X.XXX ±0.25	CHECK		SIZE	A4		FEMALE 180° SMT TYPE	
				Angle ± 3°	APPROVE	DATE	SHEET	1/1			
				DIM TOL	PROJ.						

hf 上海回峰电子科技有限公司
 Shanghai Hui Feng Electronic Technology Co., Ltd

电话: 021-67150229
 传真: 021-67150251
 企业邮箱: huiheng_dzki@163.com
 公司网站: www.huiheng-china.com