

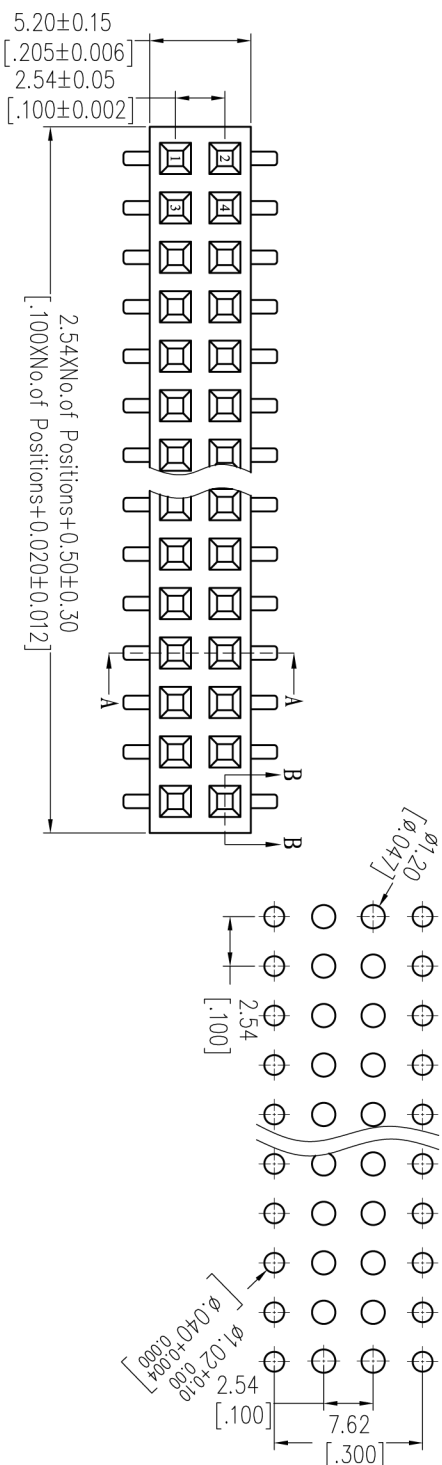
HSF

NOTES:

Current Rating: 3.0AMP
 Contact Resistance: 20mΩ Max
 Withstand Voltage: 1000V AC/DC
 Insulation Resistance: 1000MΩ Min
 Operation Temperature: -40°C to +105°C

Contact Material: Phosphor Bronze
 Contact plating: Au Or Sn over Ni
 Insulator Material: PA9T+30%G.F UL94V-0

Recommended P.C.B Layout(Top Side)
 (PCB BOARD TOLERANCE±0.05)



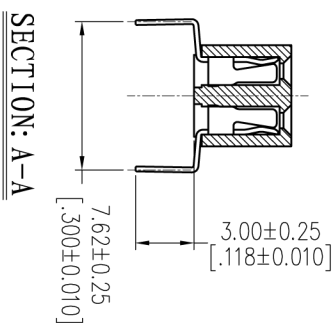
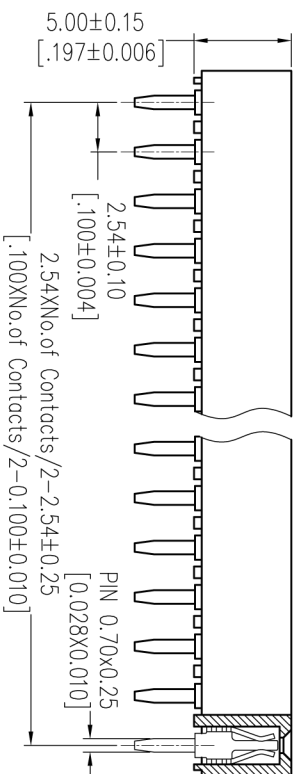
Ordering Information

2150-2XXWXXCUNX1

No. of Pins per ROW: 52-40PIN
 Contact Plating:
 G0=Gold Flash
 G3=10μ"Gold
 G4=15μ"Gold
 G5=30μ"Gold
 S0=Gold Flash/Tin
 S3=10μ"Gold/Tin
 S4=15μ"Gold/Tin
 S5=30μ"Gold/Tin
 SN=Tin
 SM=Mate Tin

Packing:
 T=Tube

Item	Pitch	Mating
Standard	2.54	1115/1120/1125
Alternate		



REV	DATE	MODIFICATION DESCRIPTION	CHANGE	OPERATION	DRAW	DATE	SCALE	FIT	PART NO.
A0	2012/08/06	NEW		XX ±0.40	JYhuang	2012/08/06	mm		2150-2XXWXXCUNX1
				XXX ±0.25	CHECK	DATE	A4		TITLE: FH2.54 DUAL ROW Centipede (7.62)
				XXXX ±0.15		DATE	1/1		H=5.0
				Angle ± 3°	APPROVE	DATE	PROJ.		Customer NO.
				DIM TOL					

hf 上海回峰电子科技有限公司
 Shanghai Hui Feng Electronic Technology Co., Ltd.

电话: 021-67150229
 传真: 021-67150251
 企业邮箱: huiheng_dzki@163.com
 公司网站: www.huiheng-china.com