

HSP

NOTES:

Rated Current:1.0AMP.
 Contact Resistance:20mΩ Max.
 Withstand Voltage:500V AC/DC
 Insulation Resistance:1000MΩ Min.
 Operation Temperature:-40℃ to +105℃

Contact Material:Brass
 Contact Plating:Au or Sn Over Ni
 Insulator Material:PA9T+30%G.F UL94V-0 BK

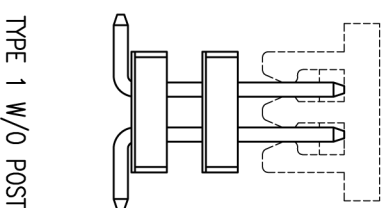
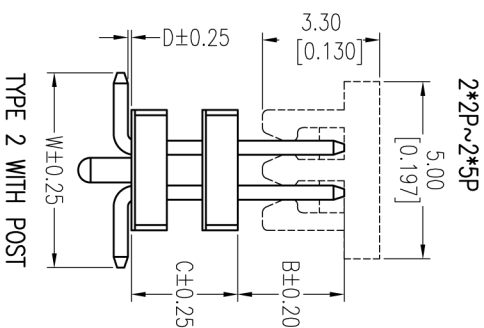
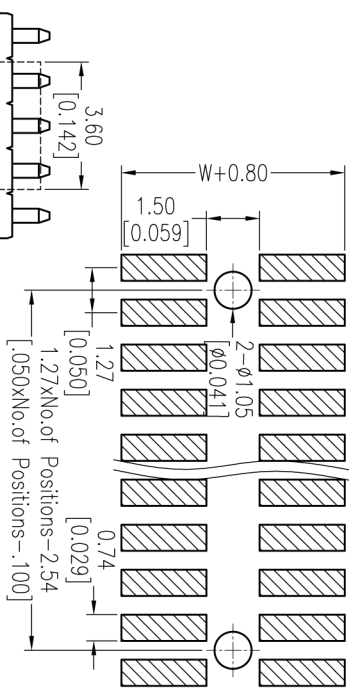
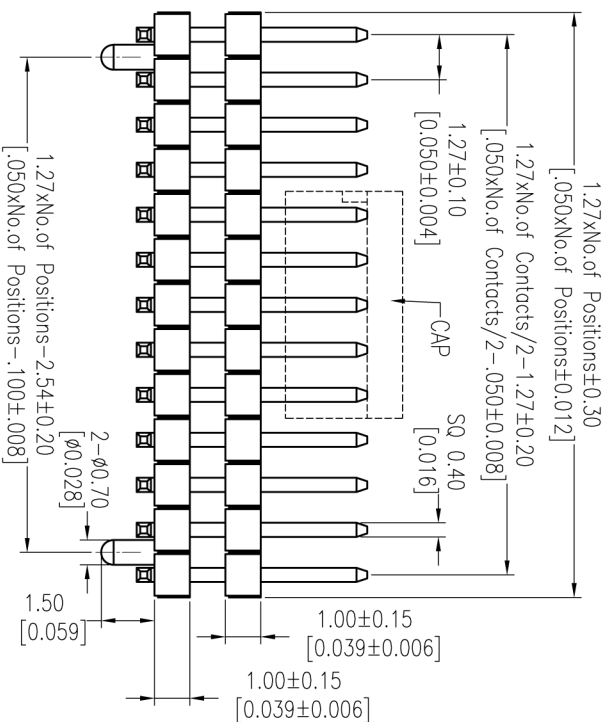
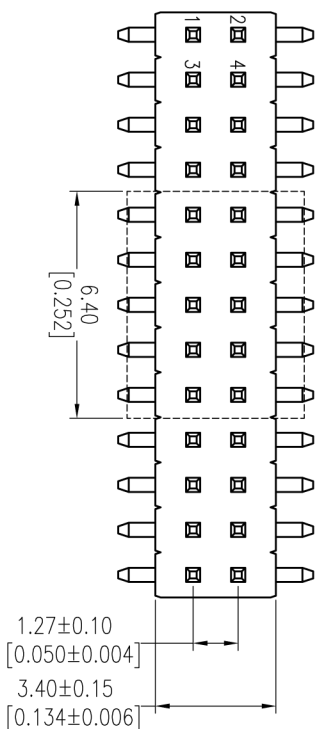
Ordering Information

1310-22 XX XX M XXX X X

No. of Pins Contact Plating Pin Length Series No.
 Per Row: 02-50 G0=Gold Flash L=B+C+D+W₁Z₂ 1=Type 1
 G3=10u"Gold Standard: 2=Type 2
 G4=15u"Gold
 G5=30u"Gold
 S0=Gold Flash/Tin
 S3=10u"Gold/Tin
 S4=15u"Gold/Tin
 S5=30u"Gold/Tin

Packing
 T=Tube
 P=Tube+CAP
 R=Tube&Reel+CAP

Item	Pin Length	W	D	B	C	Matting
Standard	---	5.50	0.10	1.90	---	2321
	---	5.50	0.10	3.00	---	2334
	---	5.50	0.10	4.00	---	2344
Alternate						



REV	DATE	MODIFICATION DESCRIPTION
A0	2012/03/13	NEW

OPERATION	DRAW	DATE
XX ±0.40	<i>Mullian Qiao</i>	2012.03.13
XX ±0.25	CHECK	DATE
XX ±0.15	APPROVE	DATE

SCALE	Fit
UNIT	mm
SIZE	A4
SHEET	1/1

PART NO.
1310-22XXXXMXXXXX

TITLE:
PH1.27 DUAL ROW
DOUBLE PLASTIC SMT H=1.0

OPERATION	CHANGE	APPROVE
XX ±0.40	---	---
XX ±0.25	---	---
XX ±0.15	---	---

上海回峰电子科技有限公司
 Shanghai Hui Feng Electronic Technology Co., Ltd.

电话: 021-67150229
 传真: 021-67150251
 企业邮箱: huirfeng_dzki@163.com
 公司网站: www.huirfeng-china.com