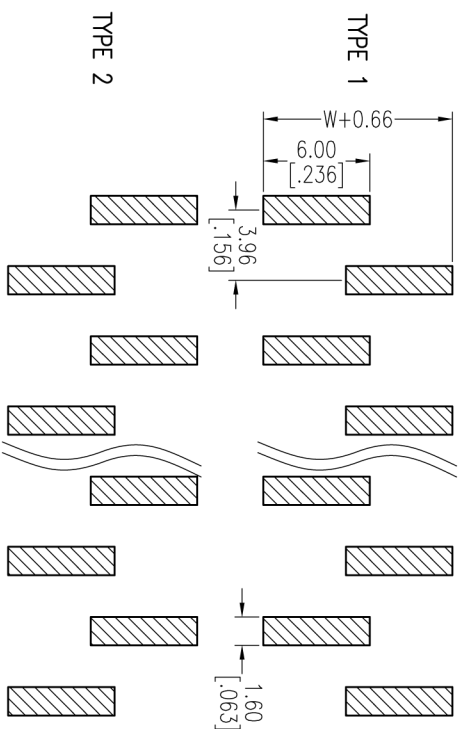
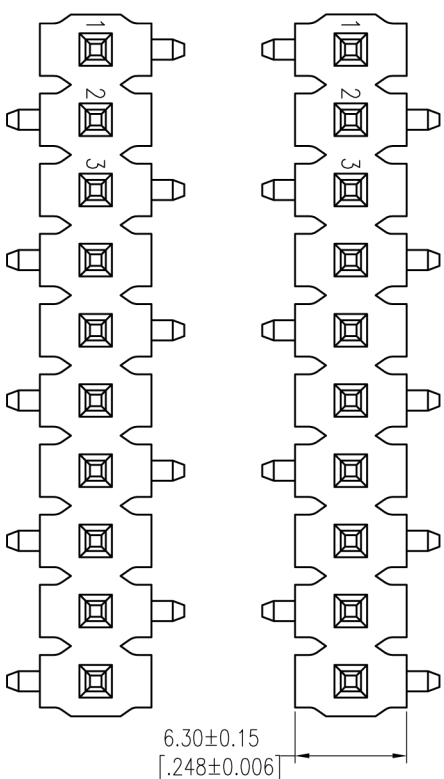


HSHF

NOTES:

Rated Current:7.0AMP.
 Contact Resistance:20mΩ Max.
 Withstand Voltage:1000V AC/DC
 Insulation Resistance:1000MΩ Min.
 Operation Temperature:-40℃ to +105℃

Contact Material:Brass
 Contact Plating:Sn Over Ni
 Insulator Material:LCF+30%G.F UL94V-0 BK

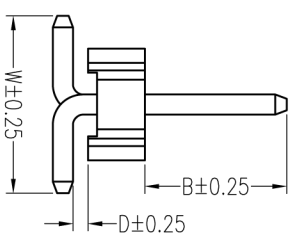
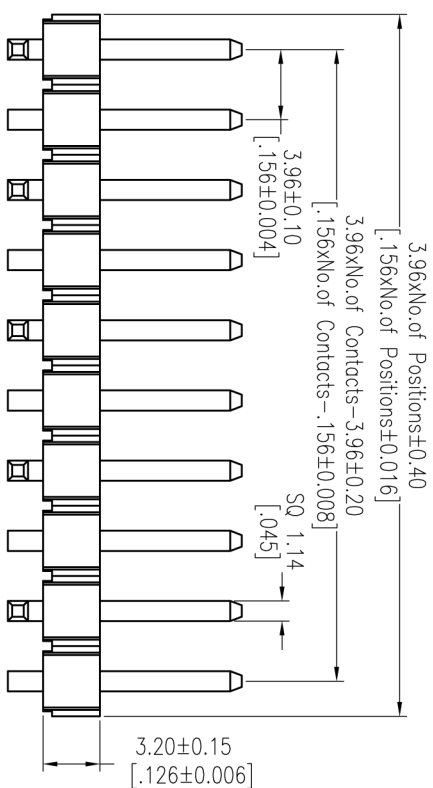


Recommended P.C.B Layout (Top Side)
 (PCB BOARD TOLERANCE±0.05)

Ordering Information

1832-11 XX XX M XXX X X

No. of Pins Contact Plating Pin Length Packing Series No.
 02-20 SN=Tin L=B+D+3.2+ $\frac{W}{2}$ T=Tube 1=Type 1
 Standard:170=17.0 2=Type 2



Item	Pin Length	W	D	B	Mating
Standard	17.00	10.00	0.85	8.00	2889
Alternate					

OPERATION		DRAW		DATE		SCALE		FIT		PART NO.	
XX	±0.40	William Chen		2012 06 25		mm				1832-11XXXXMXXXXX	
XX	±0.25	CHECK		DATE		A4				TITLE:	
X.XXX	±0.15	ANGLE	± 3'	DATE		1/1				PH3, 96 SINGLE ROW SMT H=3.2	
REV	DATE	MODIFICATION DESCRIPTION		CHANGE	DIM	TOL	APPROVE	DATE	PROJ.	Customer NO.	
A0	2012/06/25	NEW									
1											

hf 上海回峰电子科技有限公司
 Shanghai Hui Feng Electronic Technology Co., Ltd.

电话: 021-67150229
 传真: 021-67150251
 企业邮箱: hui Feng_dzkj@163.com
 公司网站: www.huifeng-china.com